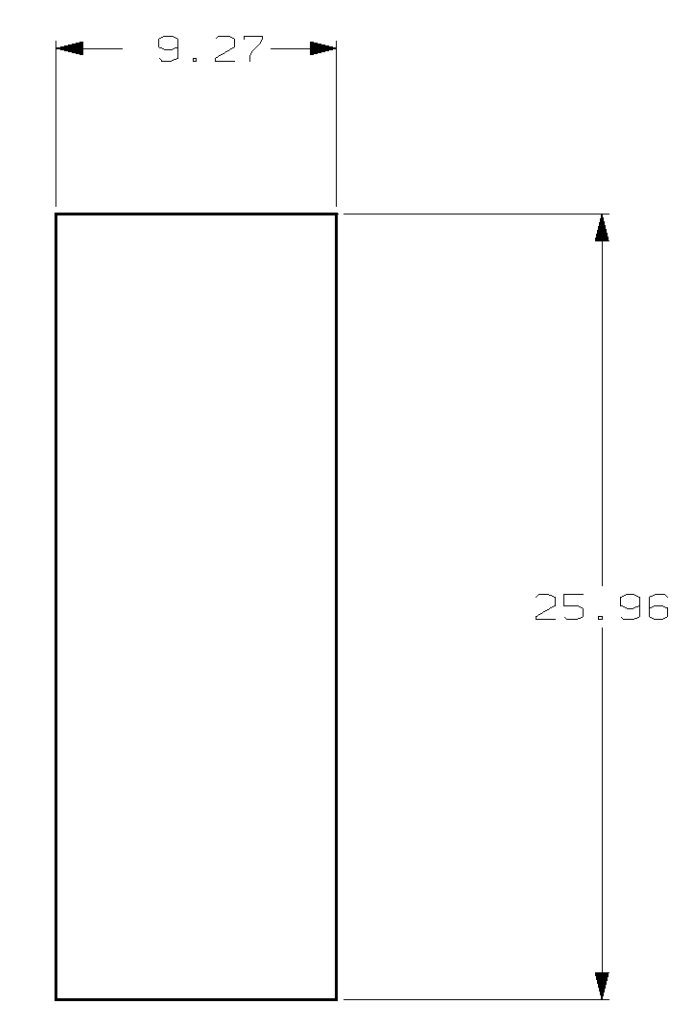
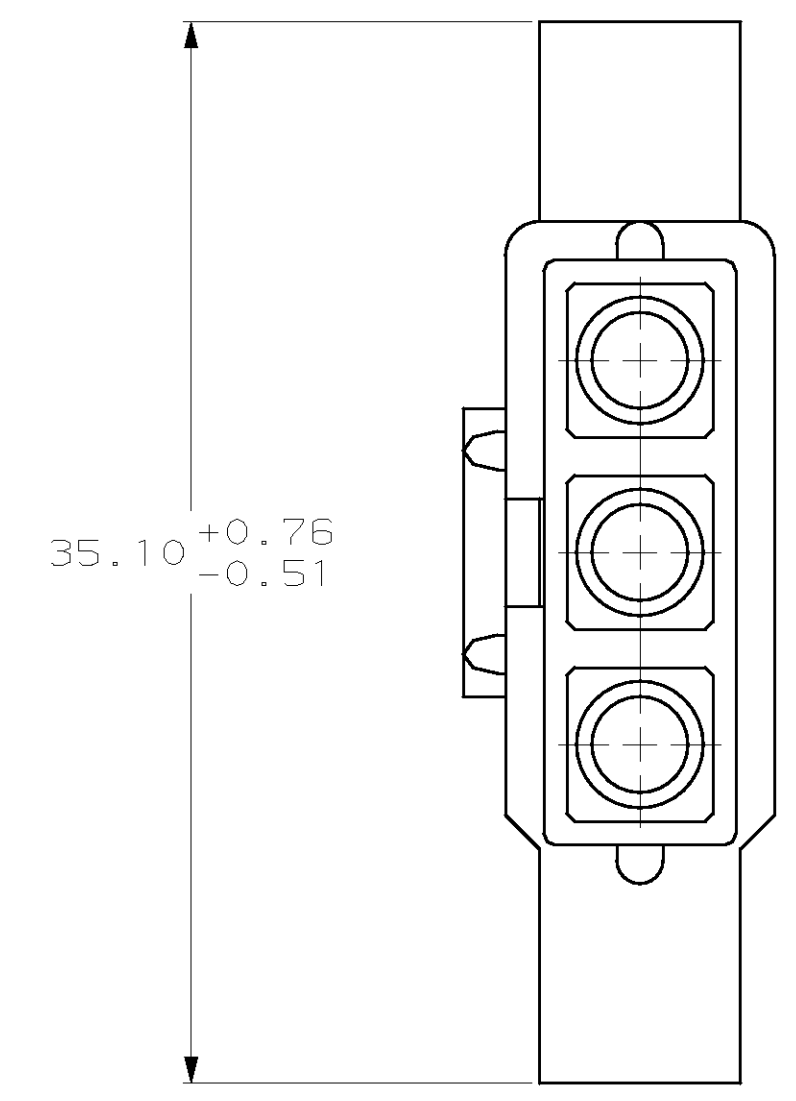
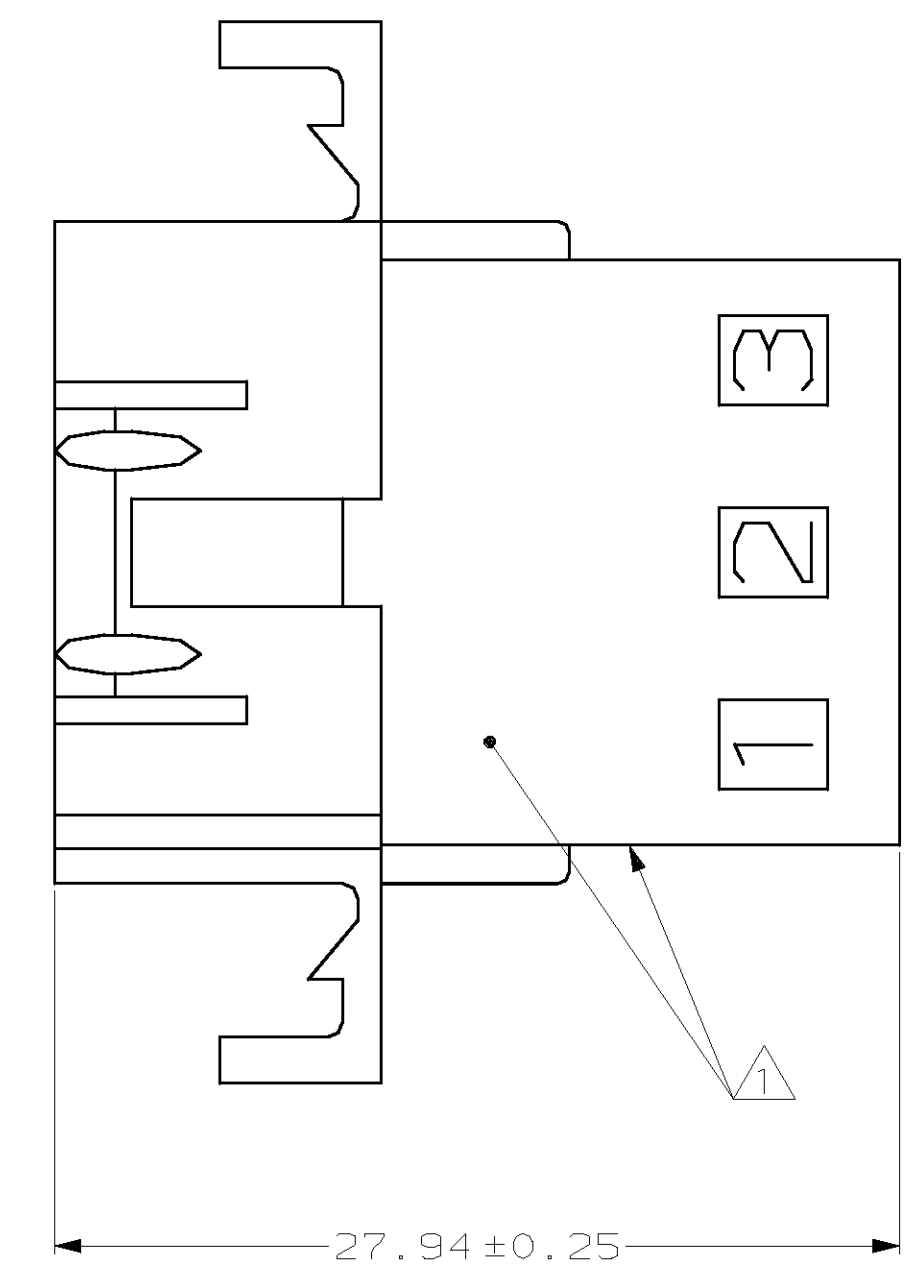
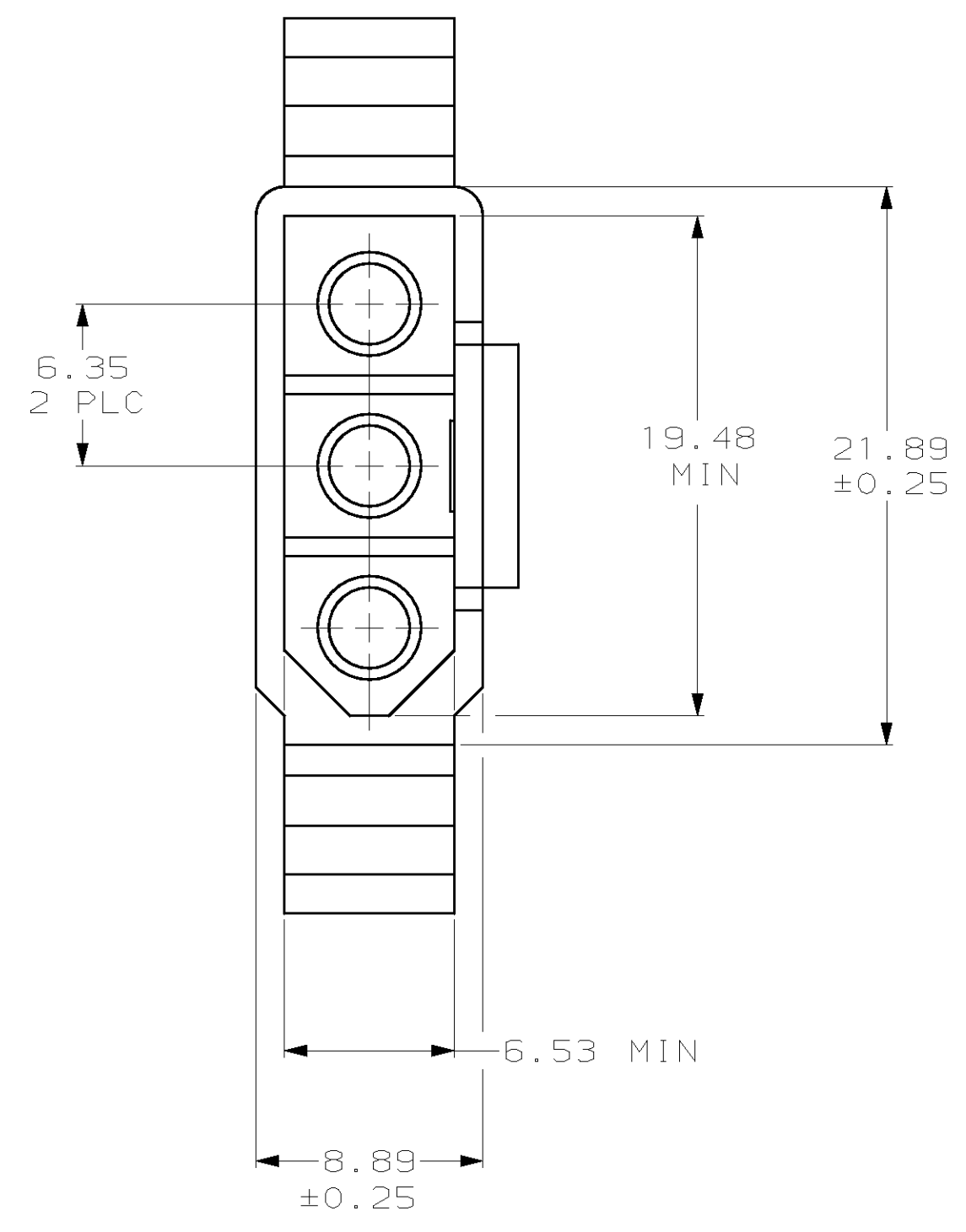
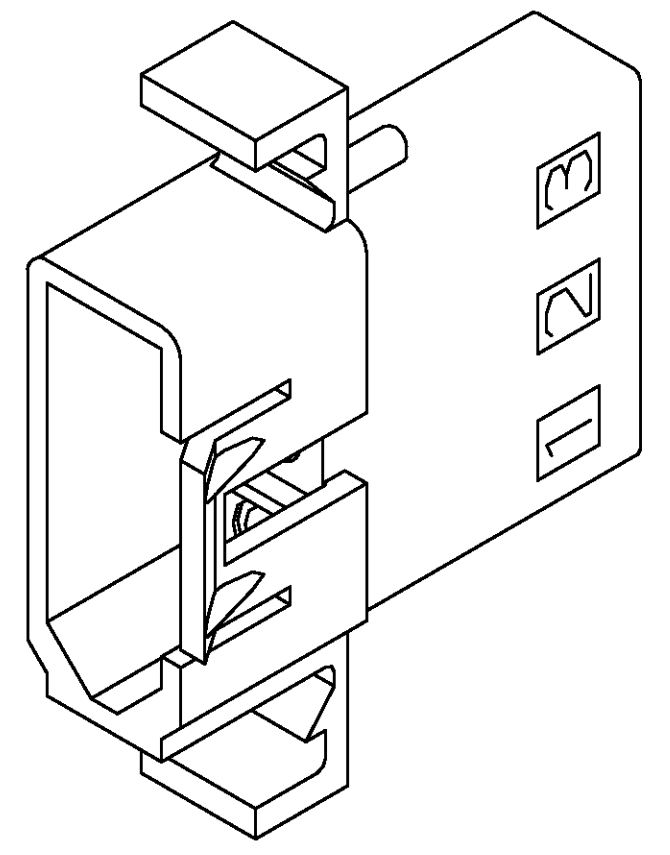


LOC		QTY		REVISIONS			
CM	53	TR	LYR	DESCRIPTION	DATE	DWN	APVD
E				REV & REDWN PER EC 0L30-0248-97	11-19-97	KW	RS

△ AMP LOGO AND CAVITY NUMBERS LOCATED ON EITHER SURFACE, OPPOSITE SIDE OPTIONAL.



RECOMMENDED CUT OUT FOR 1.58 MAX THICK PANEL



MM	IN	MM	IN
6.53	.257	35.10	1.382
6.35	.250	27.94	1.100
1.58	.062	25.96	1.022
0.76	.030	21.89	.862
0.51	.020	19.48	.767
0.25	.010	9.27	.365
0.13	.005	8.89	.350
MM	IN	MM	IN

CONVERSION TABLE

770338-1  
PART NUMBER

**METRIC**

THIS DRAWING IS A CONTROLLED DOCUMENT.

DIMENSIONS:	TOLERANCES UNLESS OTHERWISE SPECIFIED:	DWN	K. WHITAKER	11-19-97	<b>AMP</b> AMP Incorporated Harrisburg, PA 17105-3608
mm	0.13	CHK	R. SWING	11-19-97	
MATERIAL	NYLON, JL 94V-2, NATURAL	APVD	K. CORLE	11-19-97	NAME
FINISH		PRODUCT SPEC			PLUG, PANEL MOUNT, 3 CIRCUIT, .250 PIN AND SOCKET
		APPLICATION SPEC			SIZE
		HEIGHT			A1
		CUSTOMER DRAWING			SCALE
					4:1
					SHEET
					1 OF 1
					REV
					F